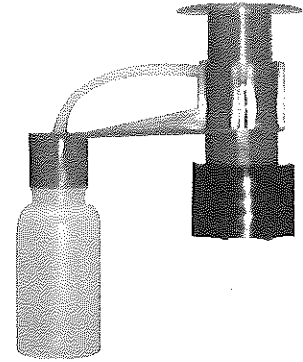


# Z-100 Zip Spray



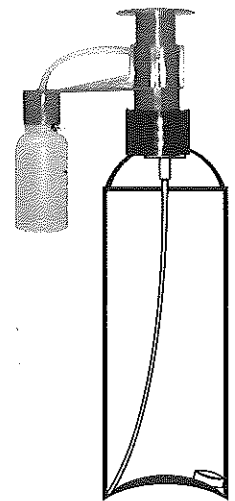
The Z-100 Zip Spray is a professional, reusable hand pump filling tool for aerosols.

Used exclusively with Seymour's pre-charged universal blend products



The Z-100 can be used as a stand-alone product or in conjunction with Seymour's Z-1000 Filling Machine.

The Z-1000 can fill tints, pigments, Gel Coats and base coats into Seymour's pre-charged cans. Use the Z-100 Zip Spray at point of application to add reducers, Catalyst, and hardeners.



Seymour can also fill your exclusive two-part formulations at the factory. Then use the Z-100 Zip Spray to fill the hardener at the end user. Private label is also available.

**Reusable Aerosol Fill  
Hand Pump**

  
**SEYMOUR**<sup>®</sup>

*"The Inventor of Aerosol Spray Paint"*

917 Crosby Avenue • Sycamore, Illinois 60178  
Phone: (815) 895-9101 • (800) 435-4482  
Fax: (815) 895-8475 • (800) 343-4258  
Email: Seymour\_syc@earthlink.net

## Instructions for using the Z-100 Pump

The Seymour Z-100 is to be used only with Seymour Custom Pak pre-charged cans. Caution: Seymour Z-100 injection tool is designed to inject catalysts, hardeners or reducers into Seymour's Universal pre-charged cans. These materials could contain di-isocyanates or other substances that could be associated health risks. Use proper ventilation mask respirator and eye protection. For Professional use only.

1. Remove sprayhead for the aerosol can.

### Assembly-

2. Tear off washer from the side of the pump. Insert the washer into the bottle flange.
3. Turn the black collar lock counter-clockwise to expose prongs. Snap prongs onto the top of the aerosol can. While holding the pump assembly in one hand, turn the lock collar clockwise with the other hand to lower the pump onto the can. Tighten the collar snugly. Do not over tighten.
4. Fill the bottle with reducer/catalyst (hardener). Screw the bottle into the bottle flange. Make sure the washer is still in place. Adjust the dip tube length so that it is touching the bottom of the bottle.

### Filling-

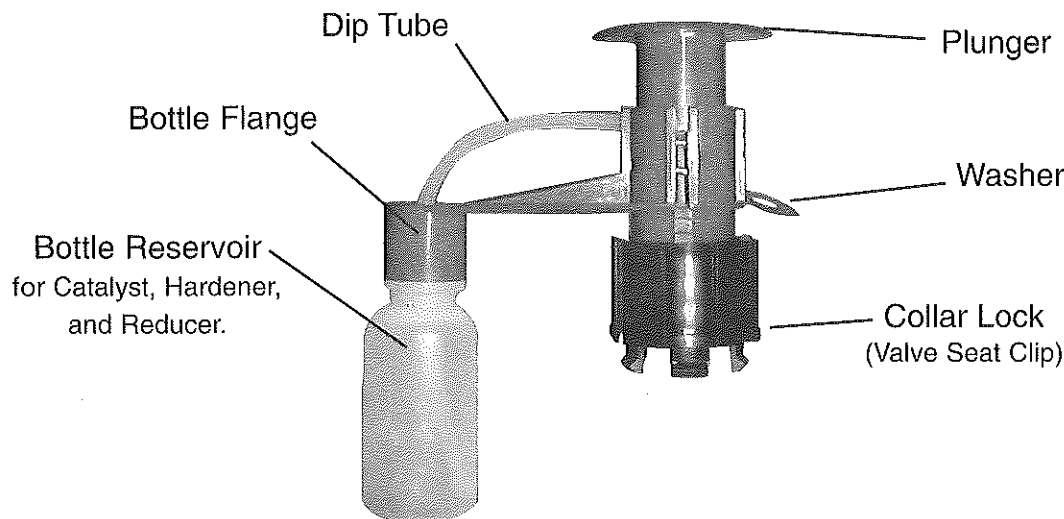
5. Place the can on a hard surface. Press down on the plunger firmly to pump the material in the bottle into the aerosol can. The material in the bottle is sucked into the dip tube on the upward stroke and is pushed into the aerosol can on the downward stroke.
6. Read the directions to determine how much catalyst is needed.
7. Pump the appropriate amount of catalyst into the can plus 1 extra pump. The extra pump allows for the catalyst in the dip tube that never gets mixed in with the paint. Each bottle holds 1 and a half fluid ounces and each stroke is about a quarter of an ounce. The paint and catalyst volume should not exceed the capacity stated on the aerosol can's back label. Any bulged can should be discarded properly immediately.

### Disassembly-

8. Turn the black lock collar counter-clockwise to unlock prongs. Pull the pump assembly off the can by pulling it to the side of the can.
9. Shake can for one minute before spraying. Spray the can the first time to the side to clear the dip tube of catalyst before spraying the part.  
The catalyst paint must be used within 20 hours of pumping the catalyst.

### Clean Up-

10. To clean the Z-100 after use, fill the reservoir bottle with solvent and attach. Place your finger over the hole at the bottom of the plunger assembly. With your thumb, push the plunger a couple of times to fill the dip tube. Remove your finger and push the plunger a couple of times to fill the dip tube. Remove your finger and push the plunger to allow the solvent in the dip tube to rinse the Z-100.



917 Crosby Avenue • Sycamore, Illinois 60178  
Phone: (815) 895-9101 • (800) 435-4482  
Fax: (815) 895-8475 • (800) 343-4258  
Email: Seymour\_syc@earthlink.net